

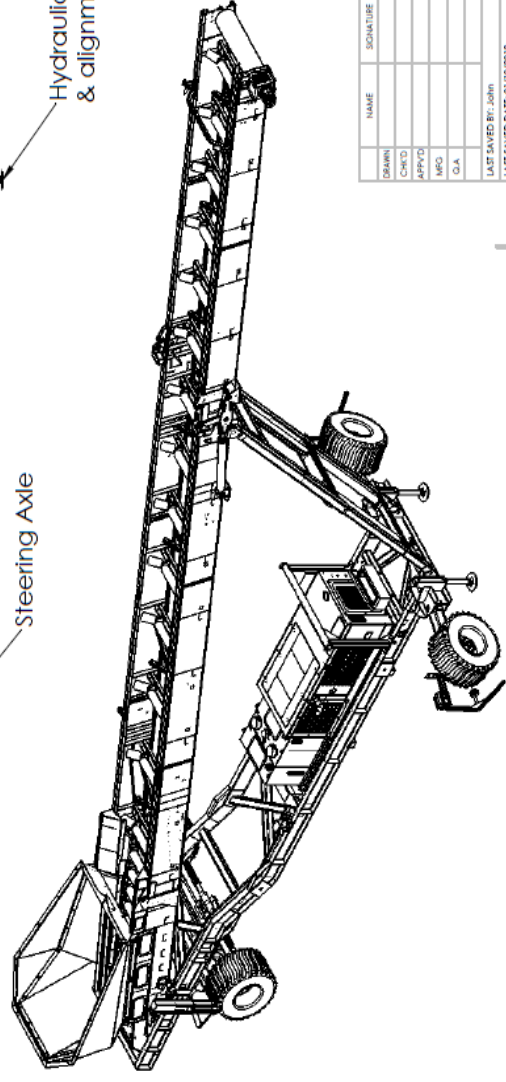
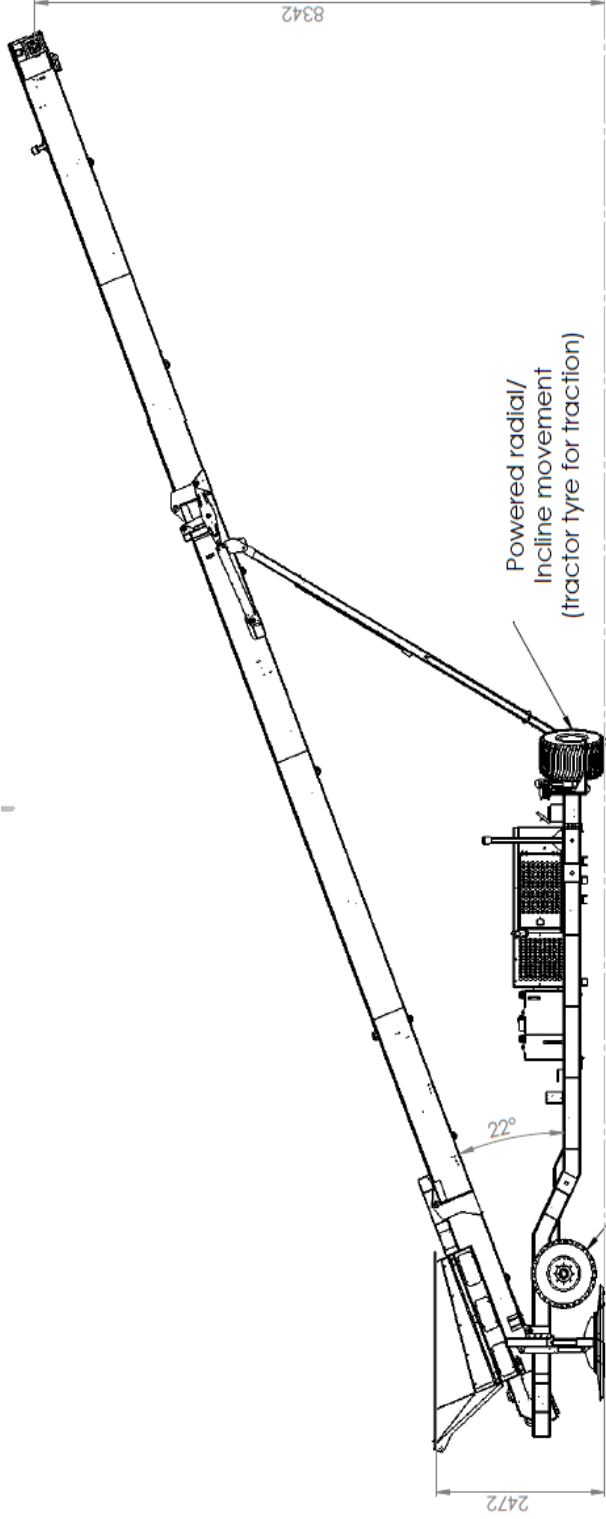


MC1050-20WR

Wheel Radial Conveyor



A leading manufacturer of screening and conveyor equipment, offer the MC1050-20WR wheel stacking conveyor, the ideal conveyor for handling wood chip, mulch, and recycled waste timber



DRAWN		NAME	SIGNATURE	DATE
CHECKED				
APPROVED				
MFG				
Q.A				
LAST SAVED BY: JOHN				
LAST SAVED DATE: 01/10/2018				
TITLE		MC1050-20WR		
DWD NO.		IMS-24300		
MATERIAL		A3		
WEIGHT: 884307.49		SCALE: 1:100		
		SHEET 1 OF 1		







Heavy Duty Construction

Constructed from 5mm thick MS plate designed in 500mm deep section to give added stability and to withstand the rigours of heavy duty operation

Conveyor

The conveyor is constructed in 3 sections , the tail section includes a generous feed hopper and the head section includes the conveyor drive , consisting of a Sauer-Danfoss hydraulic motor and rubber lagged drive pulley

Diesel-Hydraulic Power Unit

The conveyor is powered by a Caterpillar C2.2 38 kw Diesel Engine coupled to a tandem hydraulic pump giving sufficient oil flow to drive both the conveyor at maximum output and to operate the magnet

Radial Operation

The Radial Operation is facilitated by 2 445/55 x 22.5 Super Single wheels mounted in radial alignment. One of the wheels is driven by a Brevini geared hydraulic motor to provide radial movement. The radial wheels are retracted via hydraulic cylinders to transform the machine to road transport mode

Road Transport

The undercarriage consists of a heavy duty chassis with a TUV approved axle with 385/55 x 22.5 Super Single Wheels, VBG approved Tow Hitch, Braking System and approved 24v Lighting System.

Hydraulic Folding Mechanism

The folding mechanism of the conveyor head section allows for quick site set up and provides a flexible approach to transport of the unit. The hydraulic folding is designed so that the hydraulic cylinder piston rods are fully protected when the machine is operational

Magnet

An Eriez CP20/100 SC2 hydraulically driven Overband Magnet is provided to remove nails etc from timber products. Magnet installation includes stainless steel chute to discharge collected material to waste skip

Emergency Stop System

Every MC1050-20WR Conveyor is equipped from the factory with an emergency stop system that will render the plant inoperable when activated, providing added safety for the operator.



STANDARD FEATURES

- ▶ 38 kw Diesel-Hydraulic Drive
- ▶ 1050mm (42”) wide 3 ply belt
- ▶ Hydraulic Folding on Head Section
- ▶ Hydraulic Raise and Lower
- ▶ Manual Folding of Tail Section

OPTIONS

- ▶ Heavy Duty Belt
- ▶ Chevron Belt
- ▶ Conveyor Belt Variable Speed Control
- ▶ Electric Hydraulic Power Unit
- ▶ PVC covers
- ▶ Galvanised Steel Covers
- ▶ Feedboot Mild Steel Wear Plates
- ▶ Feedboot
- ▶ Hardox Wearplates
- ▶ Feedboot Extensions



SPECIFICATIONS

- ▶ Operational length 20M" (65')
- ▶ Operational height 9.16M" (30') At maximum height (26°) chevron belt may be required
- ▶ Loading height 1.2M (4'0")
- ▶ Hydraulic tank capacity 320 l (70 gallon)
- ▶ Diesel fuel capacity 155 l (35 gallon)
- ▶ Engine make/model Caterpillar C2.2
- ▶ Engine Type 4 cylinder liquid cooled
- ▶ Engine power (horsepower) 38kw (51 HP)
- ▶ Transport width 2.5 M (8'0")
- ▶ Transport height 4.0 M (13' 2")
- ▶ Transport length 14.9M (49'0")
- ▶ Total weight 12640kgs (27800 lbs)
- ▶ Axle Weight 9440kgs (20770 lbs)

Due to Irish Manufacturing Services Limited's policy of continuing product improvements, specifications are subject to change without notice or obligation. No representation is made that the products depicted herein comply with any laws, codes, rules, regulations or standards. Compliance is the responsibility of the user. Additional safety equipment may be required by the particular location and application of product.

Irish Manufacturing Services Limited

34a Dunroe Road, Clogher, Co. Tyrone, N. Ireland BT76 0Dz

Tel. +44 (0)28 8554 9656 E-mail info@ims-ltd.ie website; www.ims-ltd.ie